

Eldan Super Chopper



The Eldan Super Choppers are heavy duty pre-choppers designed as first step in any recycling process.

The Super Choppers can be used for pre-chopping of most materials like:

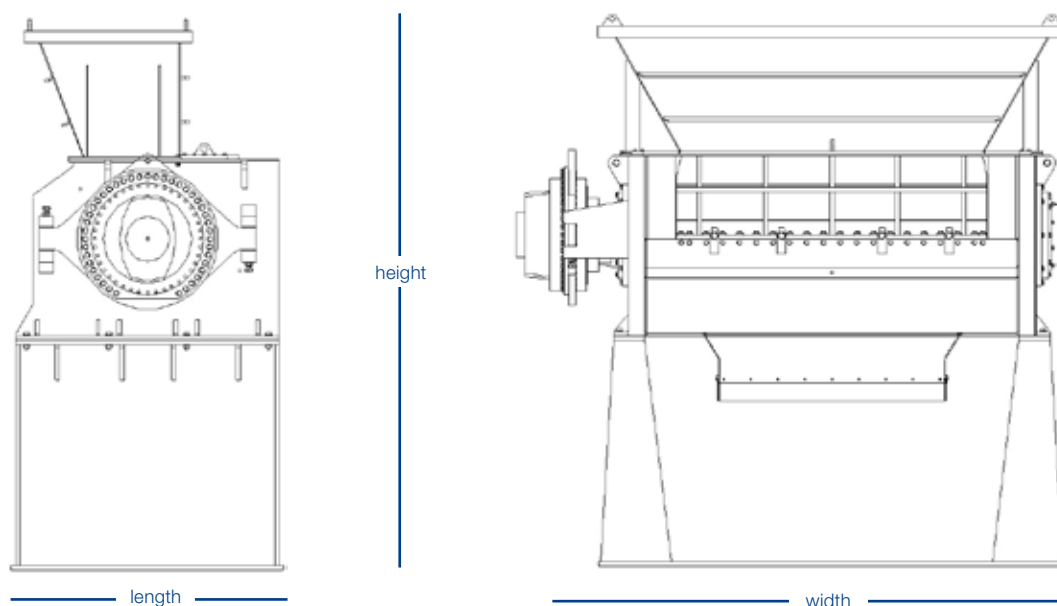
- Tyres (without prior debanding)
- All types of aluminium scrap
- Cables
- Electronic and electrical waste (i.e. WEEE),
- Refrigerators,
- Municipal solid waste (i.e. MSW),
- Wind mill wings (cut-off)
- Plastics
- Industrial waste



Depending on your needs, the Super Chopper can be customized to meet your demands.

Features

- Low speed, high torque enabling processing of tough material
- Powered directly by Hägglund hydraulic motor and power unit enabling automatic reverse for overload protection thus minimizing knife damages
- Starts up when fully loaded with material – reducing downtime after shutdown
- Adjustable knife clearance optimizing the cutting function
- The knives can be reground multiple times on a “flat-bed” grinder ensuring long life and low operation costs
- The machine is designed for quick and easy change of knives
- Unique rotor manufactured and designed for minimum wear



Technical Spec.	SC1412/160	SC2118/250	SC2118 II
Electrical motor	160 kW	250 kW	500 kW
Hägglund motor	CB400	CB560	CB560 (x2)
Rotor	1 400 mm/0-28 rpm	2 100 mm/0-21 rpm	2 100 mm/0-21 rpm (x2)
Knives	12 flying/7 static	18 flying/10 static	18 flying/10 static (x2)
Capacity/hour *	Up to 12000 kg/hour	Up to 20000 kg/hour	Up to 15000-40000 kg/hour
Weight	Approx 15000 kg	Approx 24000 kg	Approx 35000 kg
Length x width x height	1700 x 3000 x 3500 mm	2000 x 3800 x 3800 mm	2800 x 4500 x 5000 mm

Standard voltage: 3 ph, 400 V, 50 Hz - for other voltages please contact our sales department

* Depending on type of input material and method of feeding

First choice in recycling equipment