



Eldan Multi Purpose Rasper



The Eldan Multi Purpose Rasper is a heavy duty rasper for initial size reduction.

It can be used for size reduction of materials like:

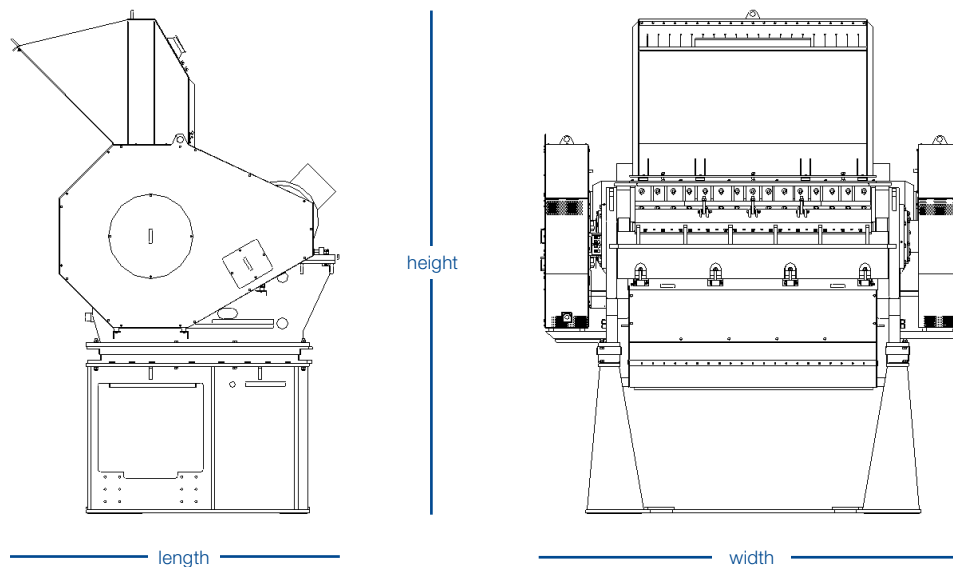
- Tyres
- Steel cord cleaning
- Aluminium scrap (all types)
- Cables
- Electronic and electrical waste (i.e. WEEE)
- Refrigerators
- Industrial waste
- Oil filters
- Etc



Rasper for processing of various materials (here shown in a tyre processing line).

Features

- The high inertia from the flywheel gives a more even load of the machine, and therefore a higher cutting power
- Friction clutches protect the machine from material overload
- The machine is belt driven for simple transmission
- Adjustable knife clearance optimize the cutting function
- The knives can be reground multiple times on a “flat-bed” grinder ensuring long life and low operation costs
- The machine is designed for quick and easy change of knives and screens
- The rotor is manufactured and designed for minimum wear
- Screens with different hole sizes available for flexible production
- Exchangeable wear parts give you a virtually indestructible machine



Specifications	MPR120	MPR160	MPR200	MPR200 HD
Rotor	1200 mm/144 rpm	1600 mm/144 rpm	2000 mm/144 rpm	2000 mm/144 rpm
Knives	15 flying/16 static	20 flying/21 static	25 flying/26 static	25 flying/26 static
Capacity*	Up to 7000 kg *	Up to 8500 kg *	Up to 10000 kg *	Up to 14000 kg *
Motor:	1 x 132kW/750 rpm	2 x 90 kW/750 rpm	2 x 110 kW/750 rpm	2 x 132 kW/750 rpm
Opening to cutting chamber	600 x 1200 mm	600 x 1600 mm	600 x 2000 mm	750 x 2000 mm
Weight	19000 kg	21000 kg	23000 kg	27000 kg
Belt driven	Single	Twin	Twin	Twin
Length x width x height	2600 x 3000 x 4500 mm	2600 x 3400 x 4500 mm	2600 x 3800 x 4500 mm	2500 x 3800 x 4700 mm

* Depending on type of input material, method of feeding and screen size
Standard voltage: 3 ph, 400 V, 50 Hz – for other voltages please contact our sales department