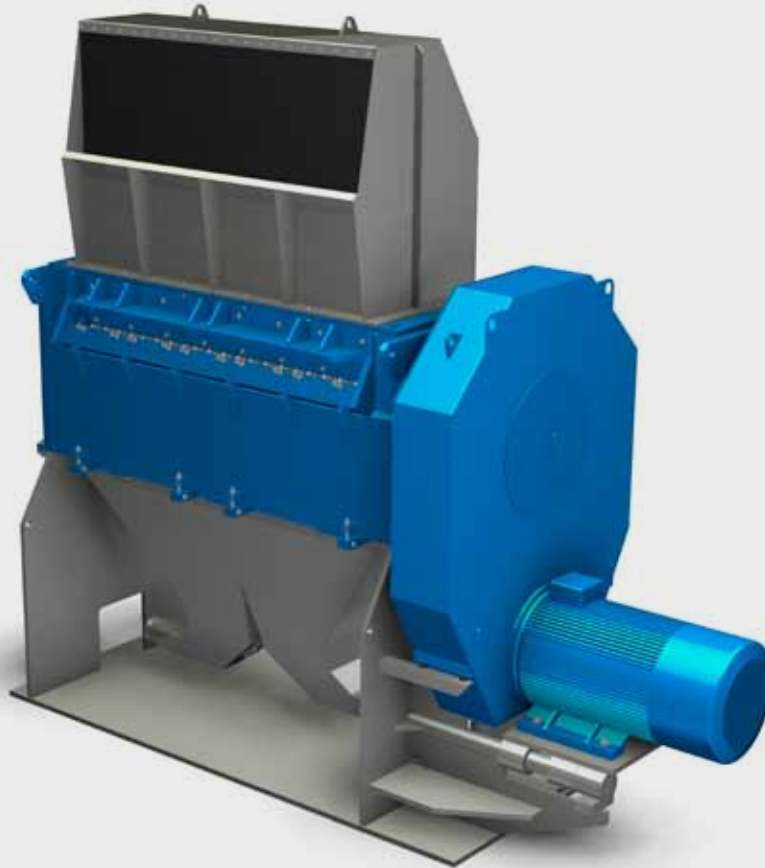


Eldan Heavy Granulator



The high-speed, single shaft Heavy Granulator is ideally suited for the initial stage of granulation.

The Heavy Granulator can be used for size reduction of materials like:

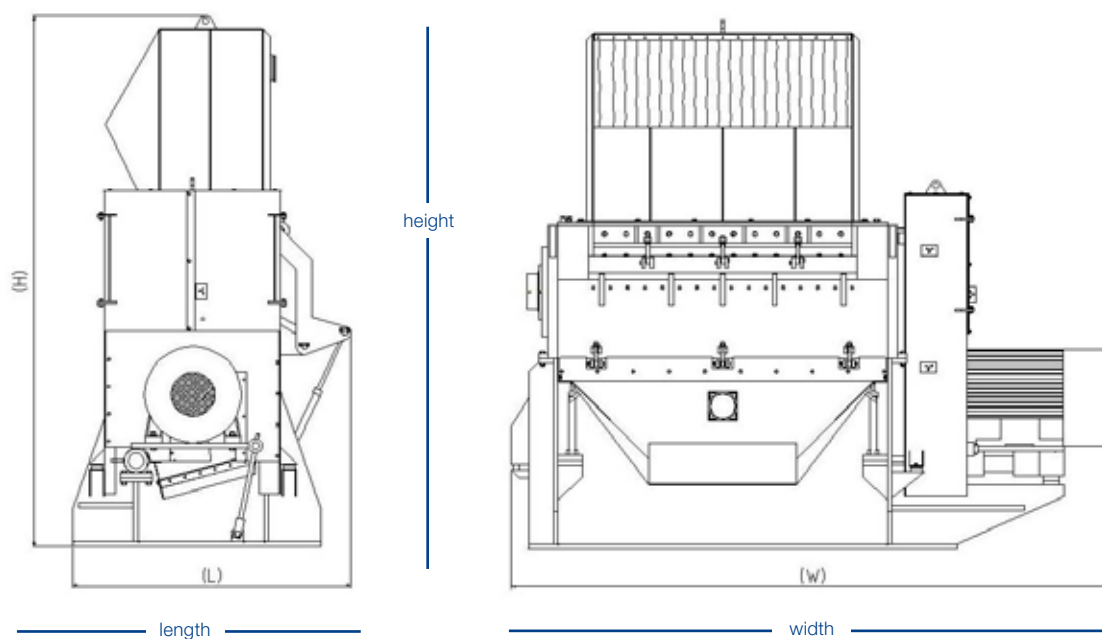
- Electronic and electrical waste (i.e. WEEE)
- Cables (pre-chopped)
- Aluminium scrap (all types)
- Shredder light fraction (SLF/ASR)
- Municipal solid waste (i.e. MSW)
- Plastics



Eldan Heavy Granulator with closed inlet hopper processing WEEE.

Features

- High speed, single shaft granulator
- Friction clutches protect the machine in case of material overload
- Adjustable knife clearance optimizing the cutting function
- The knives can be reground multiple times on a “flat-bed” grinder ensuring long life and low operation costs
- The design of the machine ensures quick and easy change of knives and wear plates in the main housing
- Straight knives in exchangeable cassettes ensures a clean cut
- The rotor is manufactured and designed for minimum wear
- Hydraulic opening of rotor housing for easy access to rotor and knives
- Screens are available with different hole sizes
- Easy change of screens ensures flexible production
- Exchangeable wear parts give you a virtually indestructible machine



Technical Spec.	HG129	HG169	HG209
Rotor	1200 mm/400 rpm	1600 mm/400 rpm	2000 mm/400 rpm
Knives	15 flying/6 static	20 flying/8 static	25 flying/10 static
Capacity *	Up to 5000 kg/hour	Up to 6000 kg/hour	Up to 8000 kg/hour
Motor	90 kW/1480 rpm	110 kW/1480 rpm	160 kW/1480 rpm
Weight	Approx. 12500 kg	Approx. 15600 kg	Approx. 23000 kg
Length x width x height	1800 x 3450 x 3450 mm	1800 x 3900 x 3450 mm	2350 x 4600 x 4350 mm

Standard voltage: 3 ph, 400, 50 Hz – for other voltages please contact our sales department

* Depending on type of Input material, method of feeding and screen size

First choice in recycling equipment