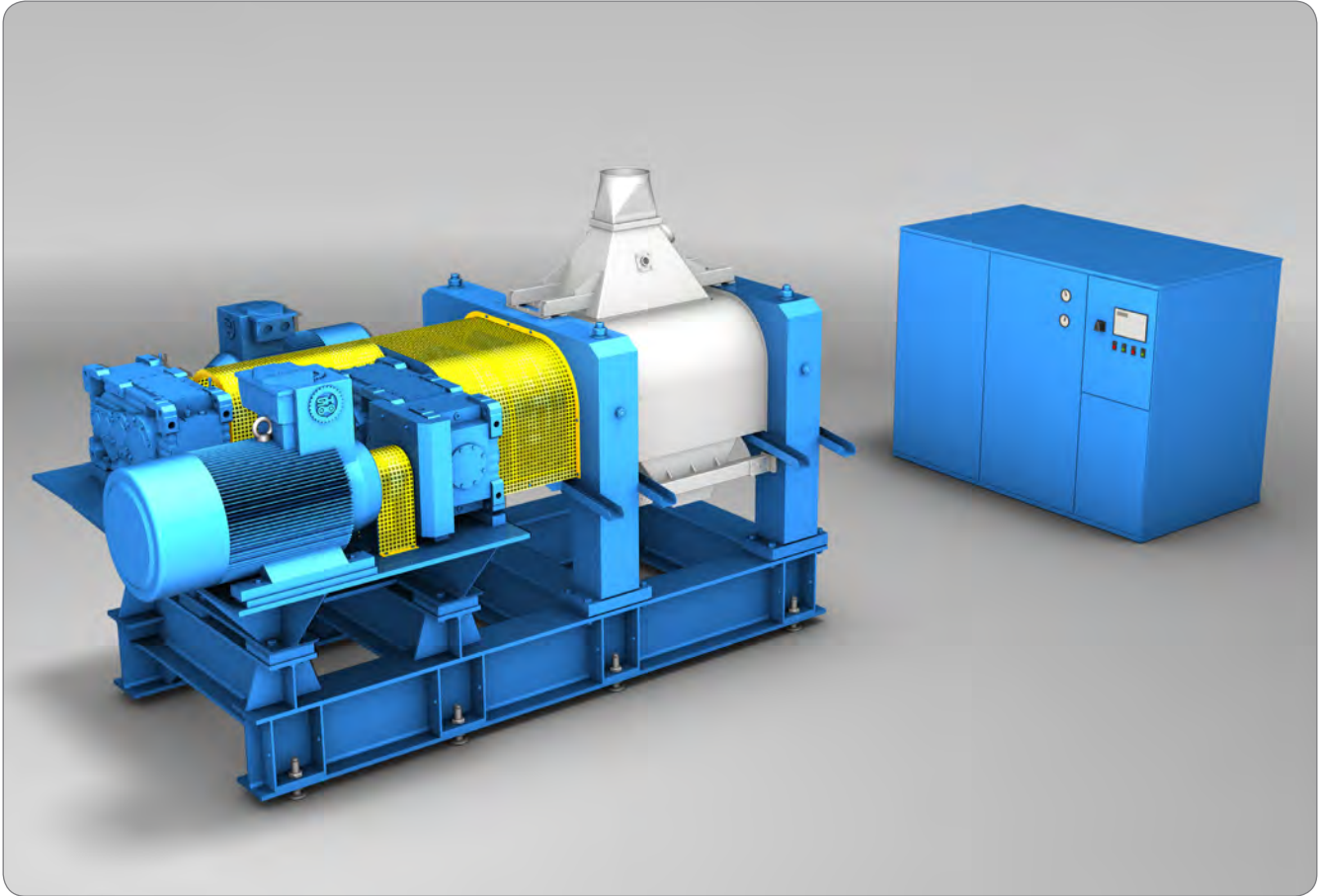




# Eldan Cracker Mill



The Eldan Cracker Mill is the key machine by powder production in Eldan Powder Systems.

The Cracker Mill can be used for powder production of rubber originating from

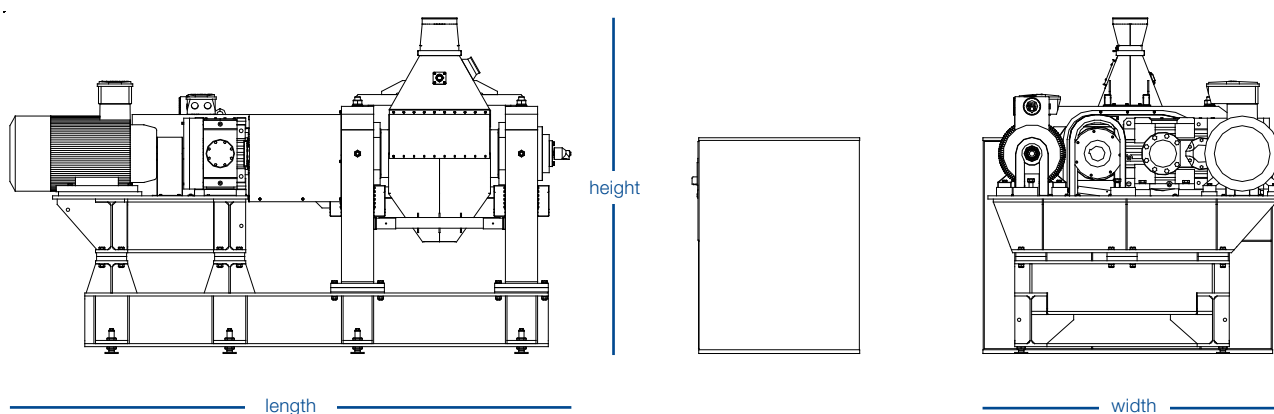
- Car tyres
- Truck tyres
- OTR tyres
- Mining truck tyres
- Van tyres
- Super singles
- Agricultural tyres
- Etc.



*Photos from the Eldan workshop showing the unique Cracker Mill roll design*

## Features

- The mill rolls are powered by two electrical motors
- The solid construction ensures smooth production
- The “controlled drive” friction ratio system is adjustable – also during operation
- The bearings are lubricated by means of PLC-controlled grease pumps in order to ensure long life
- The cast mill rolls are interchangeable and specially treated and machined for optimum quality
- The rolls are water cooled and the cracker mill includes a water cooler developed for this purpose only
- The electrical system is designed to regenerate large volumes of electrical power resulting in energy savings
- The control and soft touch panel show the friction ratio, overall mill speed, Amps, bearing temperature etc



	Cracker Mill	Cooler
Input capacity	500-2000 kg/hour	
Motor	110/250 kW	31.25 kW
Weight	30 tonnes	1.8 tonnes
Dimensions (LxWxH)	5226 x 2807 x 3127 mm	2700 x 1500 x 2000 mm
Temperature range		-5°C/+20°C or 0°C/30°C
Output sizes*	10, 20, 30 and 40 Mesh	

\* (typical market defined powder sizes)